

SPECIFICATIONS

SINEGPU MOBILE 30, 45, 60 & 90 KVA SOLID STATE 400HZ MOBILE GROUND POWER UNIT

INPUT

- 3 phase 400V/415V AC | $\pm 10\%$ *
- 50/60Hz | $\pm 10\%$
- Input current harmonics | $< 2\%$ @ Full Load

OUTPUT

- 3 phase 200V AC -400Hz | $\pm 1\%$ *
- Overall Efficiency | 90%-95%
- Max. Crest Factor | 1.4:1

RECTIFIER

- 4 Quadrant Operation
- AC Voltage Range | -25% +10%
- Efficiency | 95%-97%
- Input Frequency Deviation | 10%
- Overload Capacity | 120% Continuous
- Inrush Current | None
- Overall current limit | 150%

* Other voltages and frequencies available on request
* Other Electronic Overload limits available on request

INVERTER

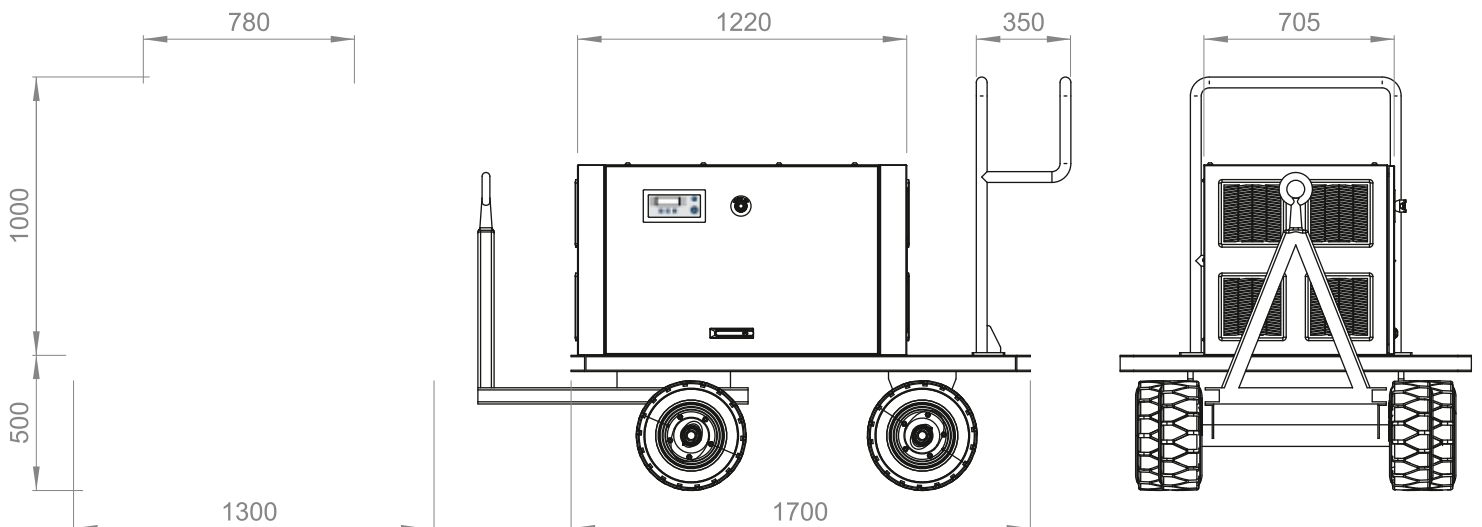
- Static Regulation 0 - 100% load | $\pm 1\%$
- Dynamic regulation 100% | 10%, recovering to 1% within 20ms
- Total harmonic distortion | Better than 2% (Linear Load)
- Electronic Limit Overload | 120%@600s; 150%@60s; 200%@5s*
- Overload Capacity (IGBTs) | 150% Continuous
- Frequency stability | $\pm 0.01\%$ Crystal Controlled
- Load power factor | 0-1
- Efficiency | 95%-98%
- Short circuit proof by electric current limiting and shutdown

ENVIRONMENTAL CONDITIONS

- Coolant temperature (max) | Forced air up to 40°C
- Ambient temperature (min/max) | -40°C to +40°C
- Relative humidity (min/max) | 0% to 90% without condensation
- Pollution degree | 2
- OVC (Overvoltage Category) | 3
- Altitude | Up to 2000m



TECHNICAL DRAWING



TROLLEY SPECIFICATIONS

- Max. load | 2500Kg
- Useful length | 1700mm
- Platform height | 500mm
- Platform | Non sliding steel plate
- Max. speed | 6Km/h
- Useful width | 1300mm
- Wheels | 4.00x8 super elastic



powered by: