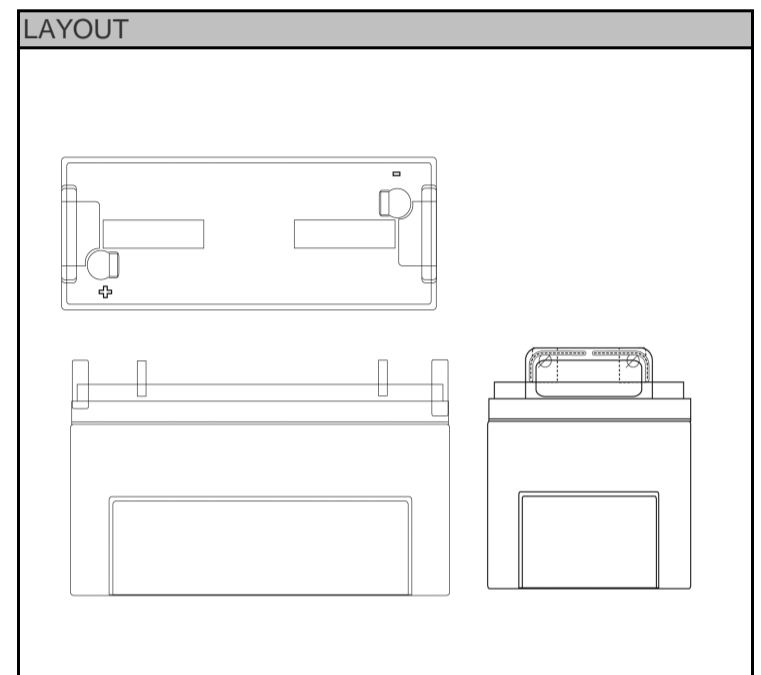


NPL-Series - Valve Regulated Lead Acid Battery NPL200-6 (FR)

| SPECIFICATIONS | | |
|---|----------------|------------|
| Nominal voltage | 6 | V |
| 20-hr rate Capacity to 5.25V at 20°C | 200 | Ah |
| 10-hr rate Capacity to 5.4V at 20°C | 176 | Ah |
| DIMENSIONS | | |
| Length | 398 (±0.7) | mm |
| Width | 176 (±0.5) | mm |
| Height | 250 (±0.7) | mm |
| (height over terminals) | N/A | mm |
| Mass (typical) | 39.0 | kg |
| TERMINAL TYPE | | |
| Post type terminal | 10 | mm |
| Torque | 16.5 | Nm |
| OPERATING TEMPERATURE RANGE | | |
| Storage (in fully charged condition) | -20°C to +50°C | |
| Charge | -15°C to +50°C | |
| Discharge | -20°C to +60°C | |
| STORAGE | | |
| Capacity loss per month at 20°C (approx) | 3 | % |
| CASE MATERIAL | | |
| Standard Option | ABS (UL.94:HB) | |
| Flame retardant option (FR) | ABS (UL94:V0) | |
| CHARGE VOLTAGE | | |
| Float charge voltage at 20°C | 6.825 (±1%) | V |
| | 2.275 (±1%) | V/cell |
| Float Charge voltage temperature correction factor (for variations from the standard 20°C) | -3 | mV/cell/°C |
| Cyclic (or Boost) charge at 20°C | 7.26 (±3%) | V |
| | 2.42 (±3%) | V/cell |
| Cyclic Charge voltage temperature correction factor (for variations from the standard 20°C) | -4 | mV/cell/°C |
| CHARGE CURRENT | | |
| Float charge current limit | No limit | A |
| Cyclic (or Boost) charge current limit | 50.00 | A |
| MAXIMUM DISCHARGE CURRENT | | |
| 1 second | 1500 | A |
| 1 minute | 600 | A |
| SHORT-CIRCUIT CURRENT & INTERNAL RESISTANCE (according to EN IEC 60896-21) | | |
| Internal resistance | N/A | m |
| Short-Circuit current | N/A | A |
| IMPEDANCE | | |
| Measured at 1 kHz | 1.3 | m |
| PERFORMANCE & CHARACTERISTICS | | |
| Refer to the technical manual | NPL | |
| DESIGN LIFE | | |
| EUROBAT Classification: High performance | 10 to 12 | years |
| Yuasa design life @ 20°C | up to 10 | years |
| SAFETY | | |
| Installation | | |
| Can be installed and operated in any orientation except permanently inverted | | |
| Handles | | |
| Batteries must not be suspended by their handles (where fitted) | | |
| Vent valves | | |
| Each cell is fitted with a low pressure release valve to allow gasses to escape and then reseal. | | |
| Gas Release | | |
| VRLA Batteries release hydrogen gas which can form explosive mixtures in air. Do not place inside a sealed container | | |
| Recycling | | |
| YUASA's VRLA batteries must be recycled at the end of life in accordance with local and national laws and regulations | | |



3RD PARTY CERTIFICATIONS

ISO 9001 - Quality Management Systems
 ISO 14001 - Environmental Management Systems
 EN 18001 - OHSAS Management Systems
 UNDERWRITERS LABORATORIES Inc.



STANDARDS

IEC61056
 IEC60896-21/22



ALL DATA IS SUBJECT TO CHANGE WITHOUT NOTICE
 Issue No.: V.2 / Issue Date: March 2011



YUASA BATTERY SALES UK LTD.
 Unit 13, Hunts Rise
 South Marston Industrial Estate
 Swindon
 SN3 4TG
 UK