

AC-DC POWER SUPPLY MODULES

UNIVERSAL INPUT, 10 WATTS

SINGLE AND DUAL OUTPUT

UIL10 SERIES



FEATURES

- Universal Input (90-264Vac)
- High Efficiency Up to 82%
- Protection: Shot Circuit/ Overload/ Over Voltage
- Encapsulated Plastic Case
- Dimensions (2.5" × 1.75" × .75")
- Internal Input Filter
- Safety Meets EN60950-1
- CE Certified
- Compliant to RoHS

SELECTION GUIDE All specifications are typical at nominal input, rated output current and 25°C, unless otherwise noted.

Output Wattage W	Output Voltage Vdc	Output Current mA	Ripple & Noise mV	Efficiency %	Model Number
10	3.3	3000	100	74	UIL10-33S
10	5	2000	100	76	UIL10-5S
12	12	1000	150	80	UIL10-12S
12	15	800	150	80	UIL10-15S
12	24	500	240	80	UIL10-24S
12	48	250	240	82	UIL10-48S
10	±5	±1000	100	75	UIL10-5D
12	±12	±500	150	75	UIL10-12D
12	±15	±400	150	75	UIL10-15D
12	±24	±250	240	77	UIL10-24D
10	V _{o1} =+5, V _{o2} =+12	I _{o1} =1500, I _{o2} =200	100(V _{o1}), 150(V _{o2})	74	UIL10-512D
10	V _{o1} =+5, V _{o2} =+15	I _{o1} =1400, I _{o2} =200	100(V _{o1}), 150(V _{o2})	74	UIL10-515D
10	V _{o1} =+5, V _{o2} =+24	I _{o1} =1200, I _{o2} =200	100(V _{o1}), 150(V _{o2})	75	UIL10-524D

UIL10 SERIES

Input Specifications			Output Specifications		
Rated input voltage, Vac	100-240 Typ.	V_o, I_o (nom)		± 3	V_i, I_o (nom), Single, 3.3V, 5V Model
Voltage range	90 Min., 264 Max.	AC in, V_o, I_o (nom)		± 2	V_i, I_o (nom), Single, 12V, 48V Model
	120 Min., 370 Max.	DC in, V_o, I_o (nom)		± 5	Dual output
Frequency, Hz	47 Min., 50/60 Typ., 63 Max.	V_i, I_o (nom)	Line regulation, %	± 1	$I_o; V_i$ Min., Max.
Input current, A	0.5 Max.	V_o, I_o (nom)	Load regulation, %	± 2	I_o (nom) Min., Single Output
				± 5	I_o (nom) Min., Dual Output
Inrush current, A	10 Max.	115Vac, V_i, I_o (nom)	Minimum load, %	0 Min.	V_i (nom), Single Output
	20 Max.	230Vac, V_i, I_o (nom)		20 Min.	V_i (nom), Dual Output
Fast startup, ms	100 Typ.	At 230Vac	Ripple and noise, mV	100 Min, 240 Max.	Measured by 20MHz bandwidth, 47 μ F paralleled with high-frequency 0.47 μ F capacitor across each output by full load
Hold-up time, ms	10 Typ.	At 90Vac	Transient recovery time, μ s	1,000 Typ.	V_i, I_o (nom) = 0.5 I_o (nom)
			Over voltage protection, Vdc	120%-150% rated output	Zener diode clamp protection
Input fuse	VDE/CCC Fuse 2.5A/250V(Slow Blow)		Over load protection, %	Above 110% rated output power	Recovers automatically after fault condition is removed
			Short circuit protection	Recovers automatically after fault condition is removed	

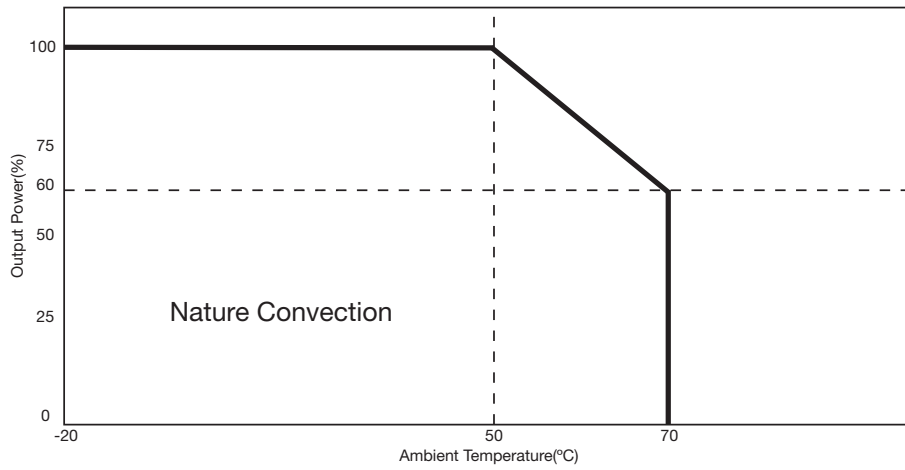
General Specifications			
Isolation voltage,	3KVac/5mA/5Secs		Input to Output
Isolation resistance, M Ω	100 Min.	500Vdc	Input to Output
Derating, %	2 Max.	V_i, I_o +51 to 71 (nom)	
Switching frequency, kHz	65 Typ.	V_i, I_o (nom)	

Environmental Specifications		
Operating ambient temperature, $^{\circ}$ C	-20 to +70	Operating at V_i, I_o (nom)
Storage temperature range, $^{\circ}$ C	-40 to +85	Non operational
Cooling		Free air convection
Relative humidity, %RH	+95 Max.	V_i, I_o (nom)

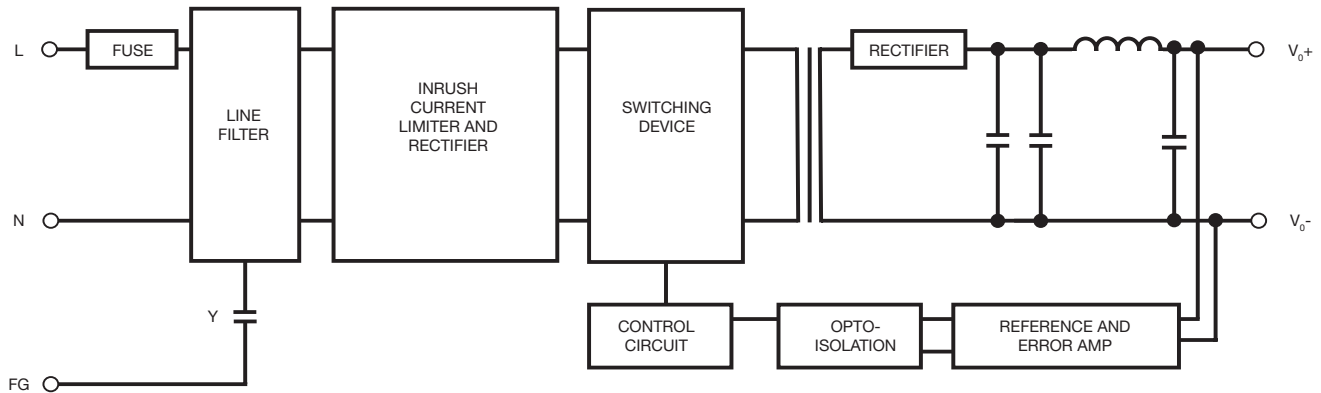
Physical Specifications		EMC Specifications	
Design meet safety standard	EN60950-1, CE Certified	Relative Humidity, % RH	95 Max. V_i, I_o (nom)
Dimensions, mm (inches)	L63.50 \times W44.45 \times H19.05 mm (2.5 \times 1.75" \times 0.75")	EMI conduction and radiation	EN55022
		EMS immunity	EN55024

UIL10 SERIES

Temperature Derating Graph

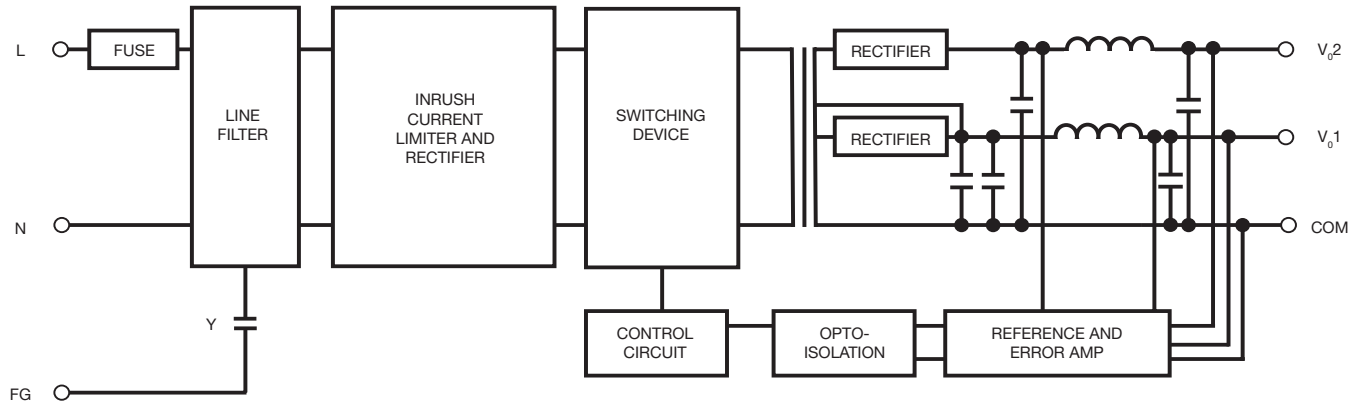
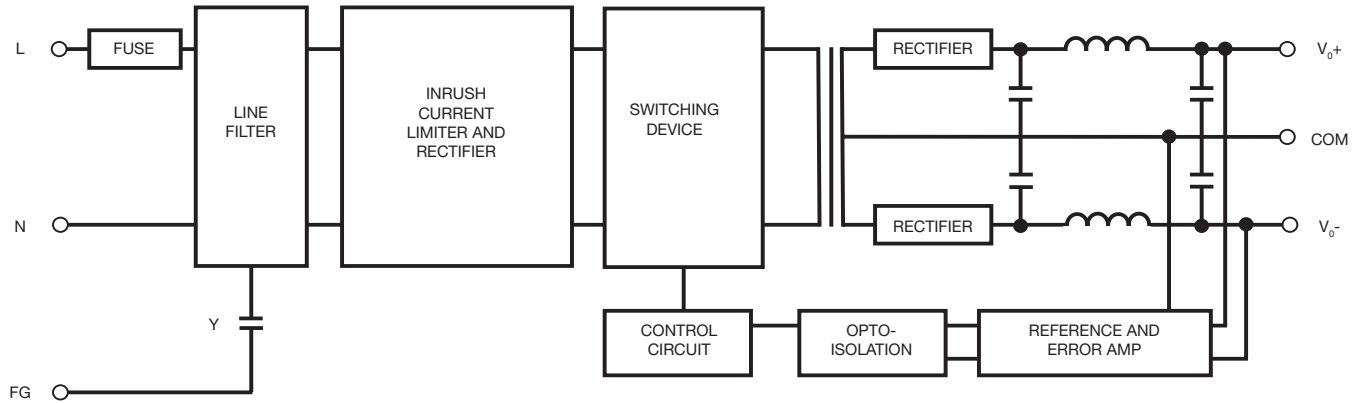


Circuit Schematic (Single)

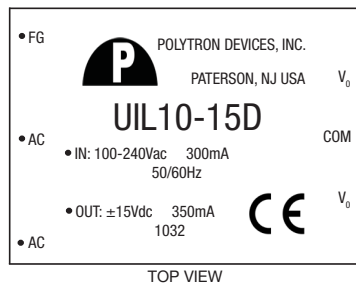
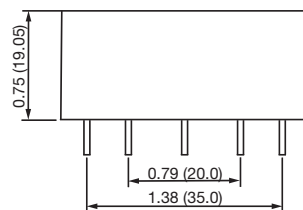
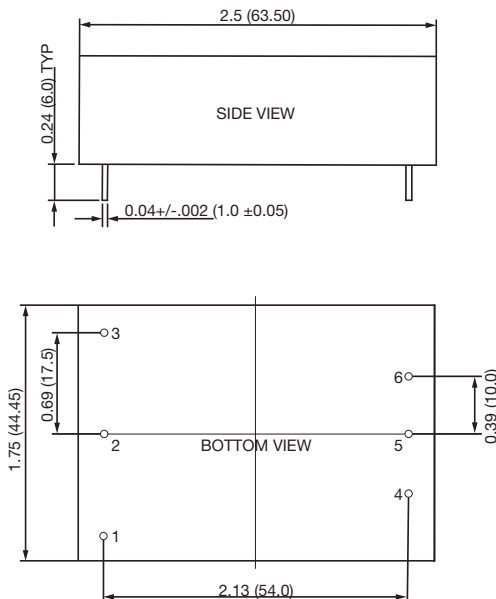


UIL10 SERIES

Circuit Schematic (Dual)



Mechanical Drawing



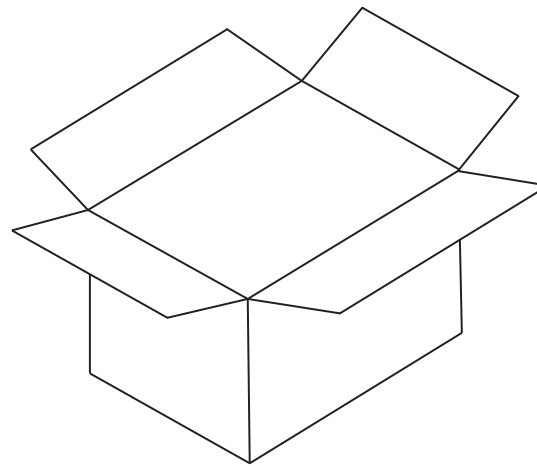
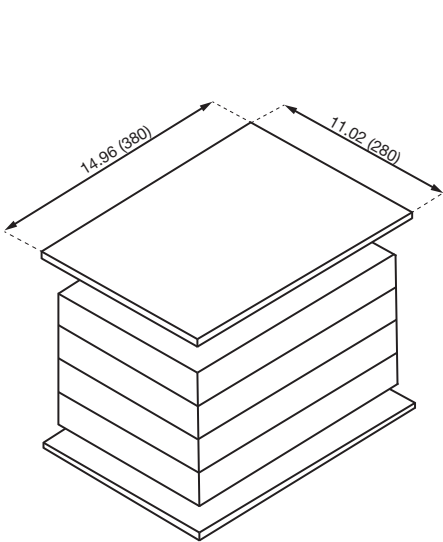
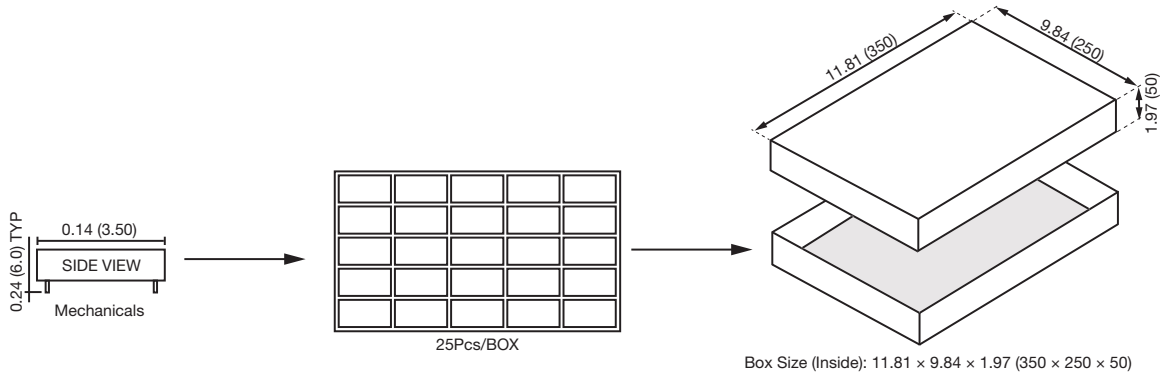
PIN CONNECTION

PIN	SINGLE	DUAL	DUAL
1	FG	FG	FG
2	ACN	ACN	ACN
3	ACL	ACL	ACL
4	-Vo	-Vo	+Vo2
5	NO PIN	COM	COM
6	+Vo	+Vo	+Vo1

1. All dimensions in inch (mm)

2. All Tolerance: ±0.50

UIL10 SERIES



Outer Carton (Inside): 14.96 (380) × 11.02 (280) × 9.84 (250)