

LTE200F SERIES

Open Frame Switching Mode Power Supply

L.T.E.

Main Features:

- Standard 3"x5" footprint design
- Design for Industrial Application, Printer Application, Network System, Telecommunication Application, and Storage System
- Output Power up to 200W
- With 48Vdc and 56Vdc Output suitable for POE Application



Technical Specification:

Input and Output Specification:

	S2	S4	S5	S7
Input Voltage	90-264 Vac			
Frequency	50 / 60Hz			
Input Current	@115Vac 4Arms;@230Vac 2Arms			
Inrush Current	Cold start@115Vac<60Ap-p;@230Vac<100Ap-p			
Output Voltage	12V	24V	48V	56V
Min Load	0A	0A	0A	0A
Max Load	13A	7.5A	3.8A	3.57A
Output Power	156W	180W	182.4W	200W
Line Regulation	±1%	±1%	±1%	±1%
Load Regulation	±5%	±5%	±5%	±5%
Ripple & Noise (mVp-p)	200	300	400	500
Efficiency	>83%	>83%	>83%	>85%

Note: 1.Load regulation is tested at 10% to 100% of rated load.

Note: 2.Peak-to-peak for 156W(S2)180W(S4)182.4W(S5)200W(S7)convection rating)@90Vac MIN.;Measurements with a 20MHz bandwidth and terminated with a 10Uf electrolytic Cap.in parallel with a 0.1Uf ceramic Cap.

General Specification

Turn-on Time(Full Load @115Vac):3 Sec

Hoid-up Time(Full Load @115Vac):12mSec

Safety Ground Leakage Current (Class I Type@230Vac 50Hz):<3.5mA

Protection Specification:

Brown-Out Protection:Auto-Recovery

Over Voltage Protection : Latch Off(110-170%)

Over Load protection : Hiccup/Auto-Recovery(Overcurrent Range@ 110%~200%Above Rating Load)

Short Circuit Protection:Hiccup/Auto-Recovery

Environment Specification:

Operating Temperature:0-50°C

Storage Temperature:-40 to 85 °C

Storage Humidity:5% to 95% RH

LTE200F SERIES

Open Frame Switching Mode Power Supply

L.T.E.

Safety and EMC Approval:

Safety / Model	S2	S4	S5	S7
UL 60950-1	V	V	V	V
cUL60950-1	V	V	V	V
CB Report(ICE 60950-1)	V	V	V	V
CE	V	V	V	V
EFF	V	V	V	V

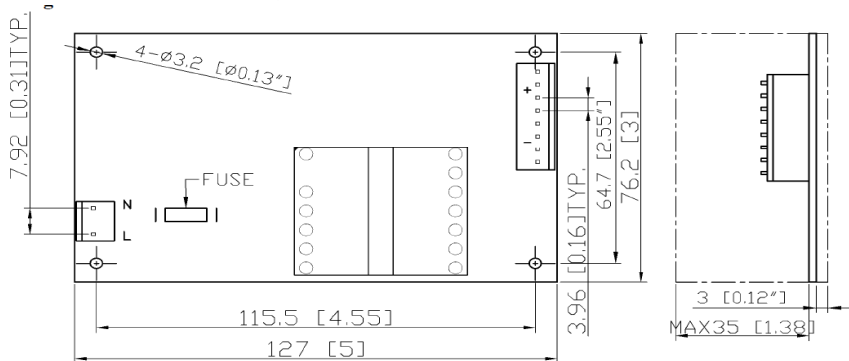
Mechanical Specification:

Dimensions:5"X3"X1

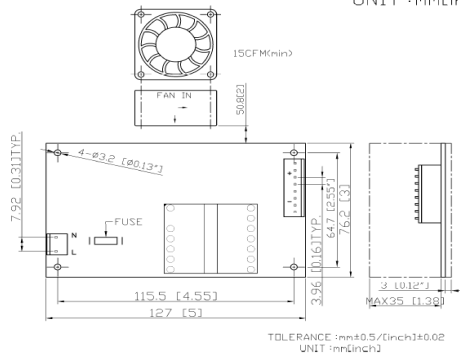
Connector Types&PIN Assignmmts:

Connector	Connector Type	PIN Number	Signal
CON1 (INPUT)	Molex#09-65-2038 or Equivalent; Mating Connector=Molex#09-52-4034 or Equivalent	Pole 1	LINE
		Pole 2	NEUTRAL
CON2 (Output)	WAFER 8PIN P=3.96mm(JST-VH)A3961WV-8P A 版 10/21 05'	Pin 1 ~Pin 4 Pin 5~Pin 8	V+ V-

Mechanical Drawing:



TOLERANCE :mm±0.5/[inch]±0.02
UNIT :mm[inch]



TOLERANCE :mm±0.5/[inch]±0.02
UNIT :mm[inch]