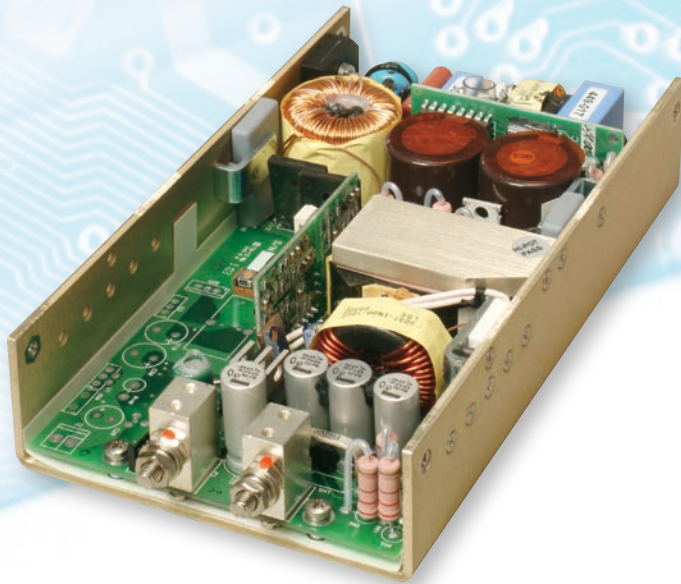


EF Series

300-400 Watt High Density AC/DC Power Supply



PRODUCT DESCRIPTION

The EF Series of switching power supplies utilizes advanced component and circuit technologies to deliver the industry's smallest 350-400 Watt switcher. Built to meet 1U height considerations, the U-Frame package measures only 6.80 x 3.86 x 1.40". All models offer universal AC input (85-265 VAC) with active power factor correction (PFC), optional 48 VDC input, flexible output configurations and compliance to worldwide safety and EMC standards. Features include:

- 350W & 400W compact high-density models
- Active load current share
- Universal AC input with PFC
- Ruggedized U-Channel construction
- 48V & 24V DC Input models available
- RoHS compliant
- Includes OR-ing diode for N+1 parallel operation
- International regulatory approvals

INPUT

AC Input Voltage	90-264VAC, 47-63Hz
Input Inrush Current	< 30Amp@115VAC cold Start
Power Factor Correction	>0.98 Typical @ 110/220VAC input @ Full Load
Input Line Protection	6.3A 250VAC IEC Type
Hold-up Time	16mSec.@ Full Load

OUTPUT

Line Regulation	± 0.1% for Vin (min.) to Vin (max.)
Transient Response	Better than 5% For 50% Step Load
Over-Voltage Protection	120% Typical Latched Shut-down
Load Regulation	± 1% Max
Min. Load Requirement	None
Turn-On Delay	2 Sec. Max.
Initial Setting Accuracy	± 1%
Ripple @ Noise	± 1%
Overload Protection	125% Typical of Max Output Load

ENVIRONMENTAL

Operation Temperature	-5C to +50C. De-rate of 2.5% per 1Deg. C up to +71C
Temperature Protection	Shutdown (Internal Heat-Sink Temp. >90C), Auto recovery
Storage Temperature	-25C to +85C
Cooling	Forced Air Cooling 15CFM
Humidity	Up to 95% RH Non-condensing
Shock & Vibration	0.75G Peak 5Hz - 500Hz
MTBF	>300,000 Hours

STATUS & CONTROL

Remote Inhibit	ACTIVE Low-output shut down
Power OK	Open Collector ACTIVE Low - Any Output drops below 10%
Current Share	Single Wire, ±10% accuracy
Remote Sense	Compensates for < 500mV drop
Auxiliary Output	5V / 5mA

ELECTROMAGNETIC COMPATIBILITY

Electrostatic Discharge	EN61000-4-2, ±4KV Contact / ±8KV Air Discharge
Radiated Susceptibility	EN61000-4-3, 26-1000MHz, 10V/M, 80% AM
EFT / Bursts	EN61000-4-4, ±2KV
Surges	EN61000-4-5, ±2KV Line-Earth, ±1KV Line-Line
Conducted Immunity	EN61000-4-6, 0.15-800MHz, 10V, 80% AM
Voltage Dips	EN61000-4-11, 95% Dip & 10ms, 30% Dip & 500ms
Voltage Interruptions	EN61000-4-11, 95% Reduction, 5s
Fluctuations & Flicker	EN61000-3-3

SAFETY & EMISSIONS

Safety Approvals	EN-60950' c/UL60950 & CE Marking
------------------	----------------------------------

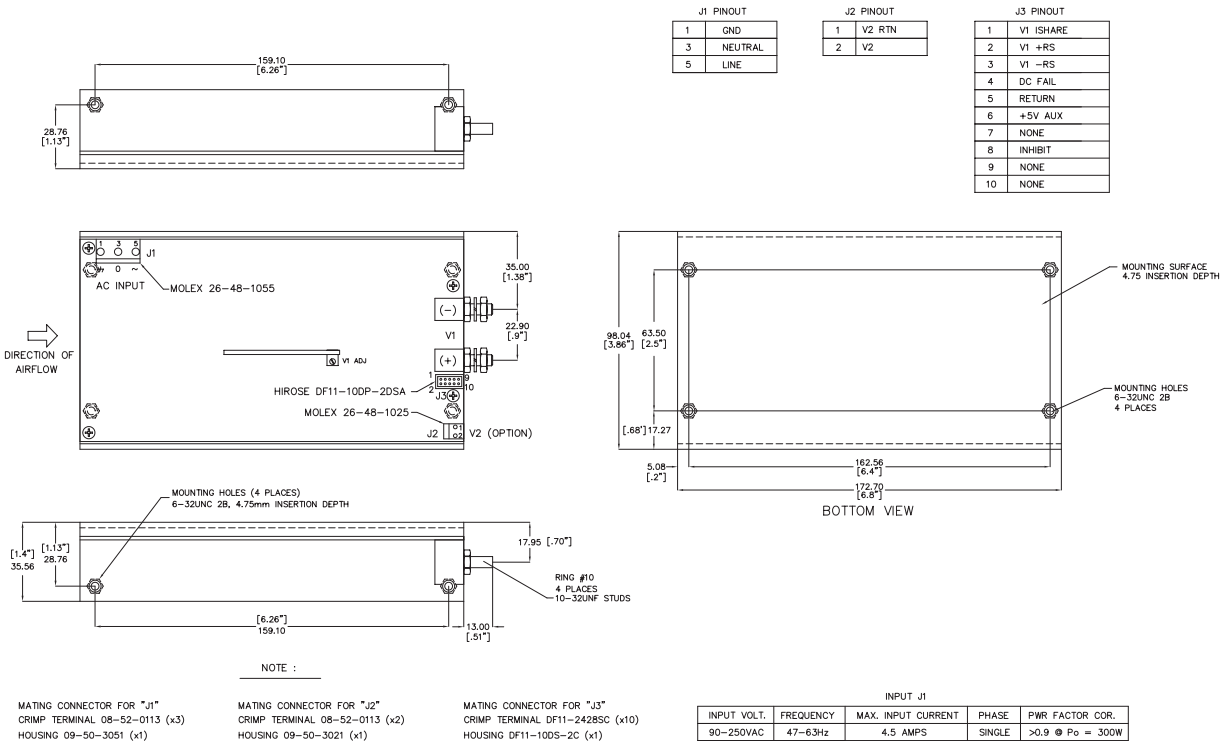


EF Series

300-400 Watt High Density AC/DC Power Supply

Model Selection Guide

Model	Input	Output Power	Output Voltage	Output Current	Efficiency (Typical)
EFO306-105	90-264VAC	250 Watts	5V	50A	86%
EFO306-112	90-264VAC	350 Watts	12V	29A	86%
EFO306-115	90-264VAC	350 Watts	15V	23A	87%
EFO306-124	90-264VAC	350 Watts	24V	14.5A	87%
EFO306-128	90-264VAC	350 Watts	28V	12.5A	87%
EFO306-148	90-264VAC	350 Watts	48V	7.2A	88%
EFO306-154	90-264VAC	350 Watts	54V	6.4A	88%
EFO400-112	90-264VAC	400 Watts	12V	33A	86%
EFO400-124	90-264VAC	400 Watts	24V	16.6A	86%
EFO400-128	90-264VAC	400 Watts	28V	14.3A	86%
EFO400-148	90-264VAC	400 Watts	48V	8.3A	86%



DIGITAL POWER
NORTH AMERICA / ASIA
www.digipwr.com

41920 Christy Street
Fremont, CA 94538, USA
Phone (510) 657 2635
Fax (510) 657 6634
sales@digipwr.com

GRESHAM POWER
UK / EUROPE
www.greshampower.com

Gresham House, Telford Road
Salisbury, Wiltshire SP2 7PH, UK
Phone +44 (0) 1722 413 060
Fax +44 (0) 1722 413 034
enquiries@greshampower.com

TELKOOR POWER
ISRAEL
www.telkoor.com

5 Giborey Israel Street
Natanya, Israel 42293
Phone +972 9 8632333
Fax +972 9 865844
sales@telkoor.com