

EF Series

200 Watt High Density AC/DC Power Supply



PRODUCT DESCRIPTION

The EF Series of switching power supplies utilizes advanced component and circuit technologies to deliver the industry's smallest 200 Watt switcher. Built to meet 1U height considerations, the U-Frame package measures only 3.30 x 5.00 x 1.50". All models offer universal AC input (85-265 VAC) with active power factor correction (PFC), optional 48 VDC input, flexible output configurations and compliance to worldwide safety and EMC standards. Features include:

- 200W compact high-density models
- Active load current share
- Universal AC input with PFC
- Ruggedized U-Channel construction
- 48VDC input models available
- RoHS compliant
- Includes OR-ing diode for N+1 parallel operation
- International regulatory approvals

INPUT

AC Input Voltage	90-264VAC, 47-63Hz
Input Inrush Current	< 50Amp@230VAC (Cold Start)
Active Power Factor Correction	0.90 at 110VAC/ 0.95 at 220VAC (typical)
Input Line Protection	6.3A 250VAC IEC Type
Hold-up Time	16mSec.@ Full Load

OUTPUT

Line Regulation	± 0.2% for Vin (min.) to Vin (max.)
Transient Response	Better than 5% For 50% Step Load
Over-Voltage Protection	125% Typical Latched Shut-down
Load Regulation	±0.51% Max
Min. Load Requirement	None
Turn-On Delay	± 1%
Initial Setting Accuracy	± 1%
Ripple @ Noise	± 1%
Overload Protection	120-130% Typical of Max Output Load

ENVIRONMENTAL

Operation Temperature	-5C to +50C. De-rate of 2.5% per 1Deg. C up to +71C
Temperature Protection	Shutdown (Internal Heat-Sink Temp. >90C), Auto recovery
Storage Temperature	-25C to +85C
Cooling	Forced Air Cooling 250LFM
Humidity	Up to 95% RH Non-condensing
Shock & Vibration	0.75G Peak 5Hz - 500Hz
MTBF	>300,000 Hours

STATUS & CONTROL

Remote Inhibit	ACTIVE Low-output shut down
Power OK	Open Collector ACTIVE Low - Any Output drops below 10%
Current Share	Single Wire, ±10% accuracy
Remote Sense	Compensates for < 500mV drop
Auxiliary Output	5V / 5mA

ELECTROMAGNETIC COMPATIBILITY

Electrostatic Discharge	EN61000-4-2, ±4KV Contact / ±8KV Air Discharge
Radiated Susceptibility	EN61000-4-3, 26-1000MHz, 10V/M, 80% AM
EFT / Bursts	EN61000-4-4, ±2KV
Surges	EN61000-4-5, ±2KV Line-Earth, ±1KV Line-Line
Conducted Immunity	EN61000-4-6, 0.15-800MHz, 10V, 80% AM
Voltage Dips	EN61000-4-11, 95% Dip & 10ms, 30% Dip & 500ms
Voltage Interruptions	EN61000-4-11, 95% Reduction, 5s
Fluctuations & Flicker	EN61000-3-3

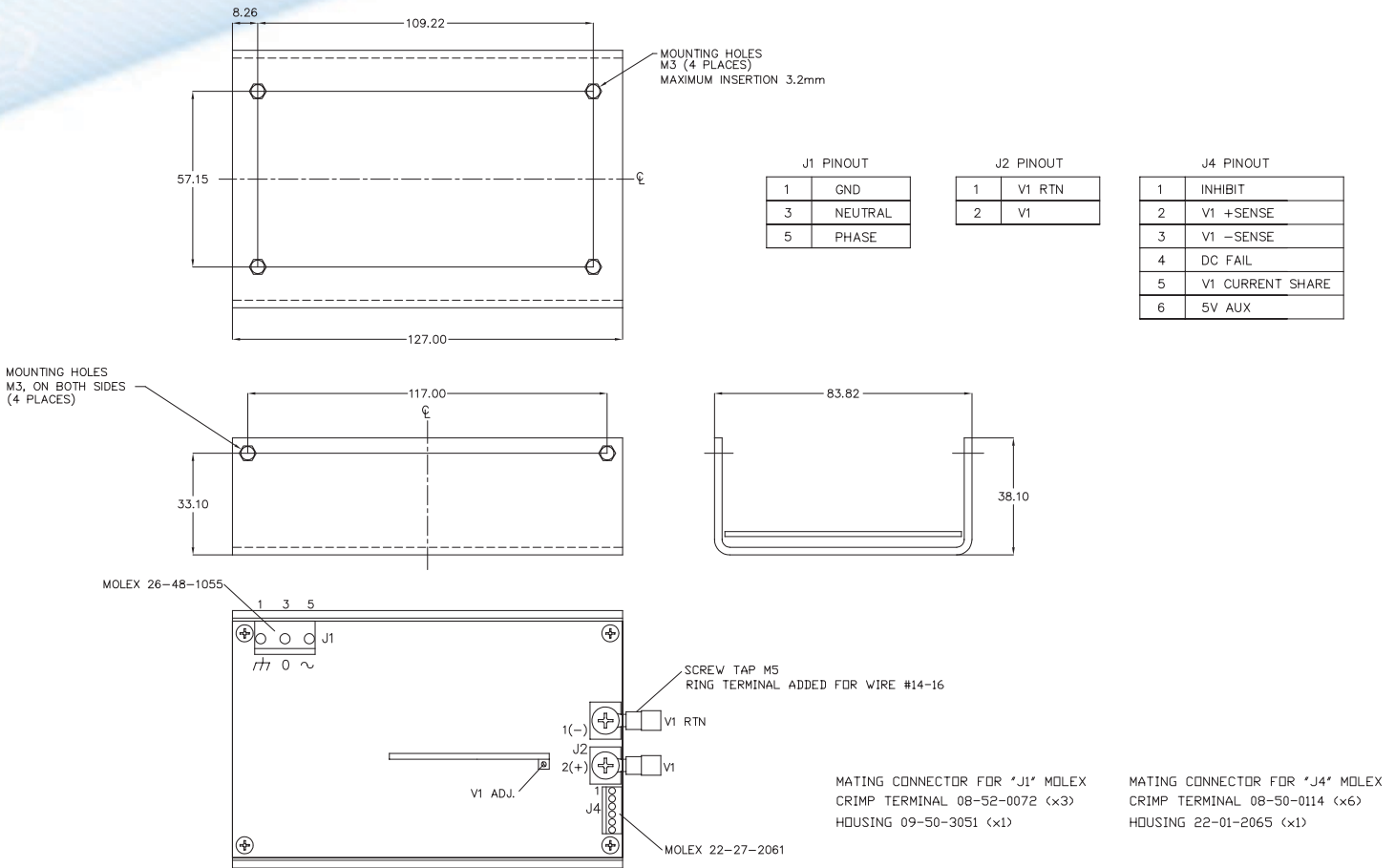
SAFETY & EMISSIONS

Safety Approvals	UL/cUL60950, EN60950, CE Mark (LVD)
------------------	-------------------------------------



Model Selection Guide

Model	Input	Output Power	Output Voltage	Output Current	Efficiency (Typical)
EFS175-105	90-264VAC	150 Watts	5V	30A	82-85%
EFS175-112	90-264VAC	200 Watts	12V	16.6A	82-85%
EFS175-115	90-264VAC	200 Watts	15V	13.3A	82-85%
EFS175-124	90-264VAC	200 Watts	24V	8.3A	82-85%
EFS175-128	90-264VAC	200 Watts	28V	7.15A	82-85%
EFS175-148	90-264VAC	200 Watts	48V	4.2A	82-85%



DIGITAL POWER
NORTH AMERICA / ASIA
www.digipwr.com

41920 Christy Street
Fremont, CA 94538, USA
Phone (510) 657 2635
Fax (510) 657 6634
sales@digipwr.com

GRESHAM POWER
UK / EUROPE
www.greshampower.com

Gresham House, Telford Road
Salisbury, Wiltshire SP2 7PH, UK
Phone +44 (0) 1722 413 060
Fax +44 (0) 1722 413 034
enquiries@greshampower.com

TELKOOR POWER
ISRAEL
www.telkoor.com

5 Giborey Israel Street
Natanya, Israel 42293
Phone +972 9 8632333
Fax +972 9 865844
sales@telkoor.com